



Wanders fires & stoves | 2022

wanders.com



wanders
fires & stoves

Index

04 - 21 Wood

- 04 - 05 Mata
- 06 - 07 Black Pearl / Black Diamond
- 08 - 09 WAN 2060 / 2068 / 2075 front
- 10 WAN 2060 / 2068 / 2075 Black Edition
- 11 S 68 / 75 front
- 12 - 13 S 60 / 75 corner
- 14 Square 60 / 68 trilateral
- 15 Square 75 tunnel / Jules
- 16 - 17 Elm
- 18 - 19 Oak
- 20 - 21 Pecan eco

24 - 45 Gas

- 24 - 25 Lenga 500
- 26 - 27 Lenga 800
- 28 - 29 Koto
- 30 - 31 Douglas
- 32 - 33 Danta 500 / 800
- 34 - 35 Danta 1100 / 1400
- 36 - 37 Balsa
- 38 - 39 Tali
- 40 - 41 ONYX
- 42 Larix
- 43 Square 40
- 44 - 45 Square 60G







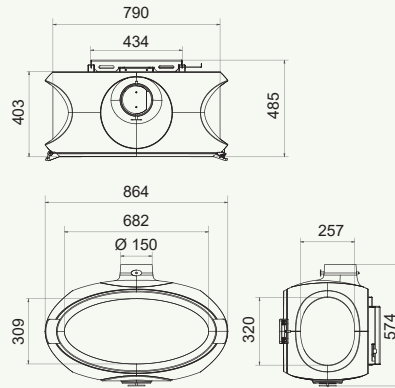
WOOD



wanders
fires & stoves

Mata

Mata



Mata



Mata

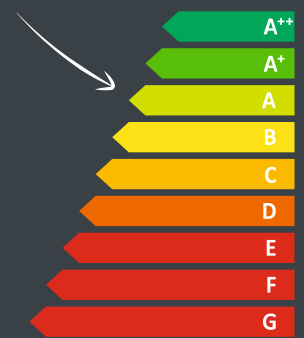


Mata



Black | 5-8 kW

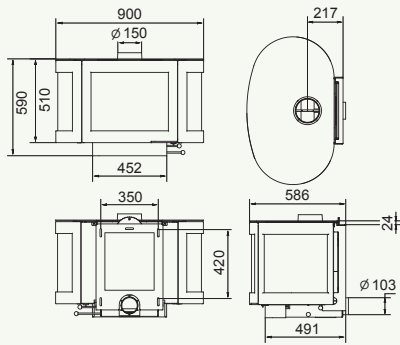
Ø 150 % 76 [Icon] [Icon] B²



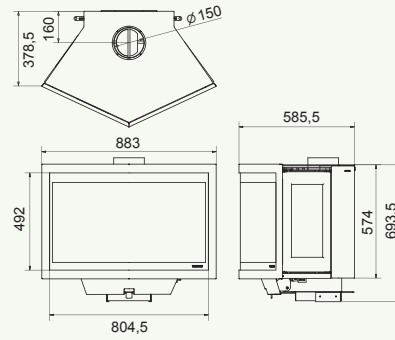
wanders
fires & stoves

Black Pearl / Black Diamond

Black Pearl



Black Diamond



Black Pearl



Black Diamond



Black Pearl



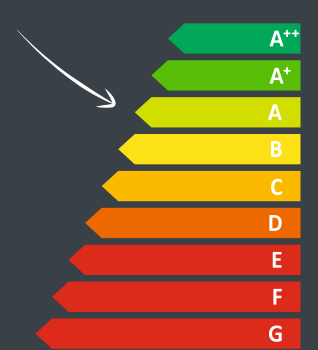
Black Diamond



Black Pearl: Black | 8-10 kW



Black Diamond: Black | 8-10 kW



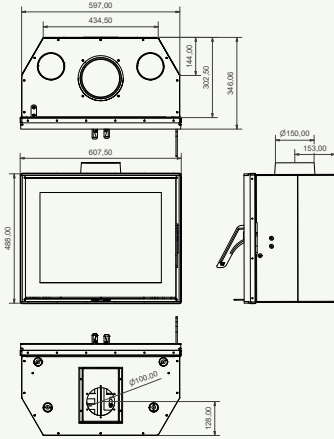
wanders
fires & stoves

WAN 2060 /2068*/ / 2075*

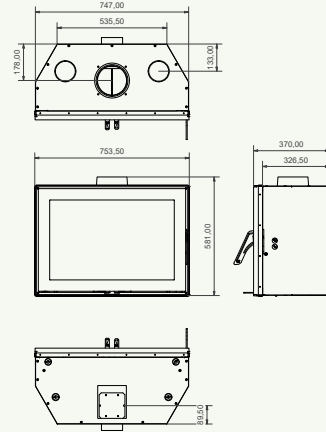
front

* in development

WAN 2060 front



WAN 2075 front



WAN 2060 front



WAN 2075 front



WAN 2060 with 4-sided frame



Door handle WAN



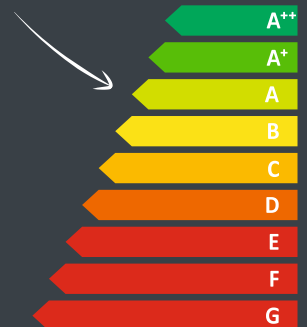
WAN 2060 front: Black | 5-7 kW



WAN 2068 front: Black | 8-10 kW



WAN 2075 front: Black | 7-9 kW



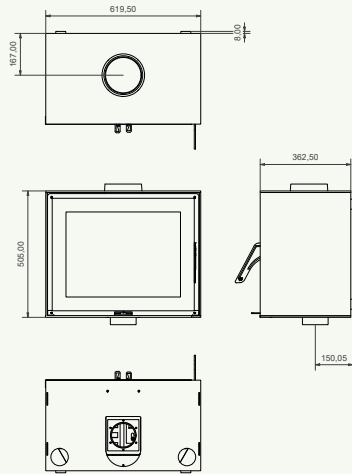
wanders
fires & stoves

WAN 2060 /2068*/ 2075*

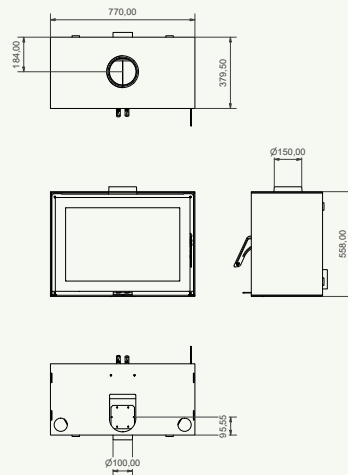
Black Edition

* in development

WAN 2060 Black Edition



WAN 2075 Black Edition



WAN 2060 Black Edition



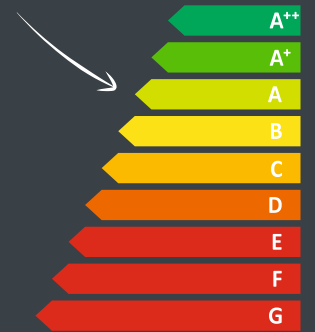
WAN 2060 Black Edition: | 5-7 kW



WAN 2068 Black Edition: | 8-10 kW



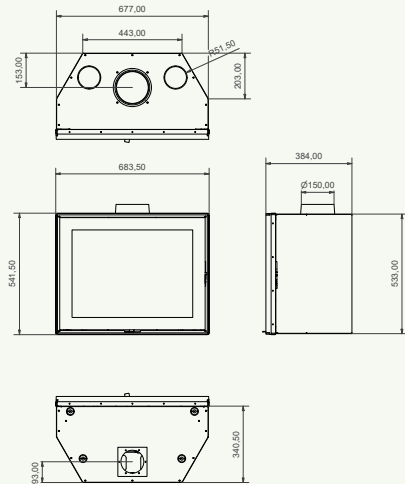
WAN 2075 Black Edition: | 7-9 kW



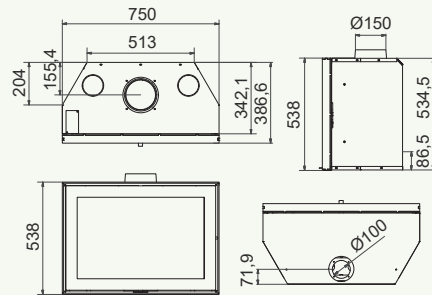
wanders
fires & stoves

S 68 / 75 front

S 68 front



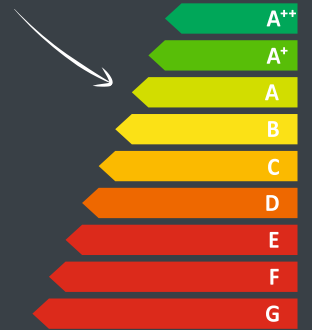
S 75 front



S68 front: Black | 6-8 kW



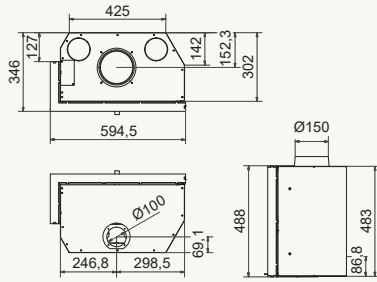
S75 front: Black | 8-10 kW



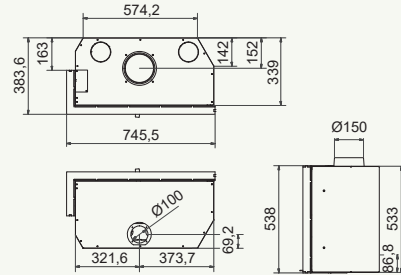
wanders
fires & stoves

S 60 / 75 corner

S 60 corner



S 75 corner



S 60 corner



S 75 corner



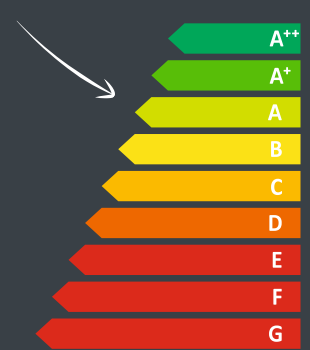
S 75 corner



S60 corner: Black | 5-7 kW



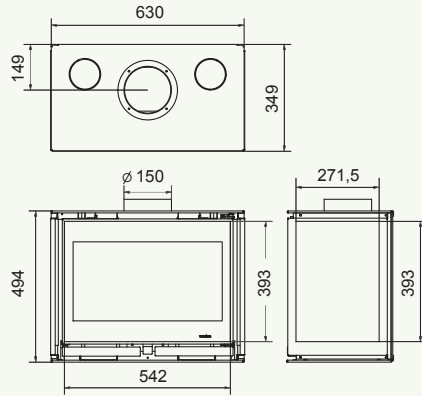
S75 corner: Black | 8-10 kW



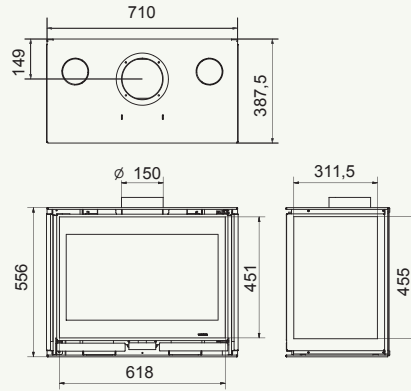
wanders
fires & stoves

Square 60 / 68 trilateral

Square 60 trilateral



Square 68 trilateral



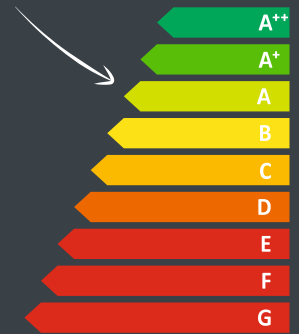
Square 60 trilateral



Square 60 trilateral Black | 5-7 kW



Square 68 trilateral Black | 7-9 kW

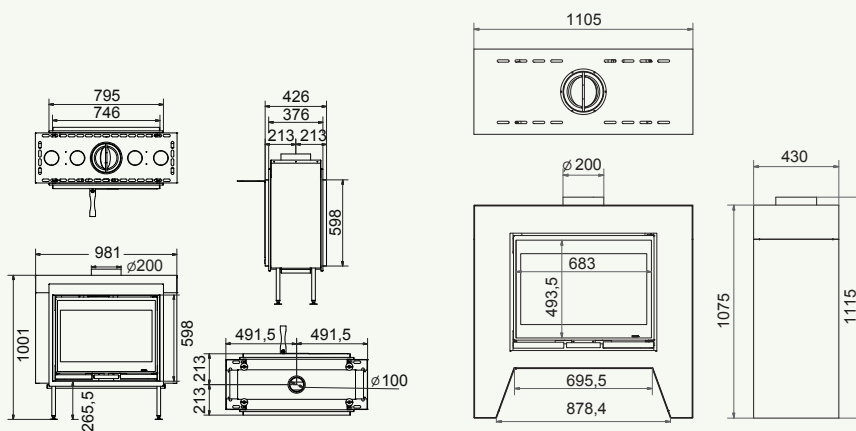


wanders
fires & stoves

Square 75 tunnel / Jules

Square 75 tunnel

Jules



Square 75 tunnel: Black | 10-12 kW



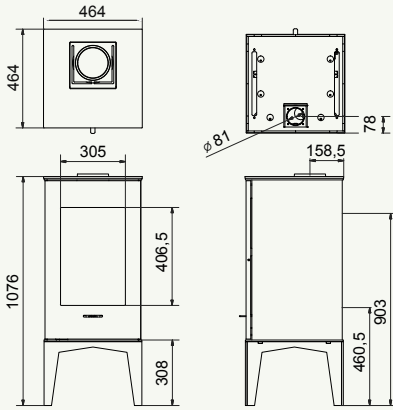
Jules: Black | 10-12 kW



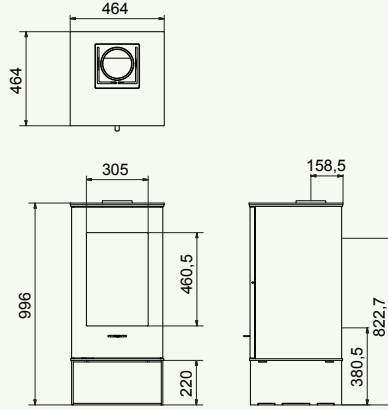
wanders
fires & stoves

Elm

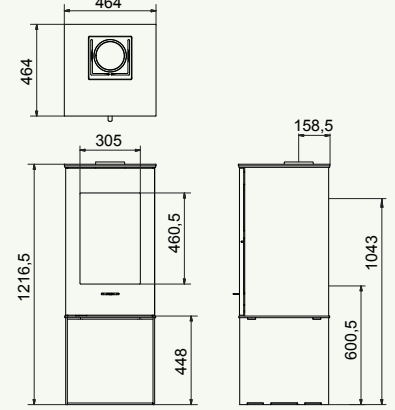
Elm original



Elm base M



Elm base L



Elm original



Elm M



Elm L



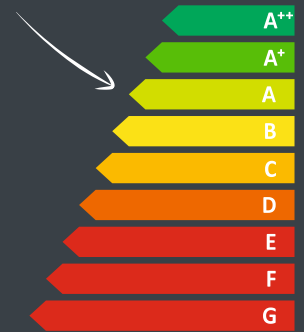
Elm L



Elm L



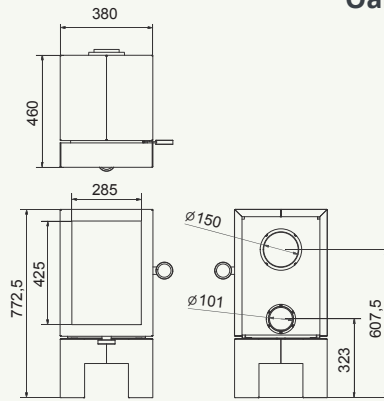
Elm: Black | 5-7 kW



wanders
fires & stoves

Oak

Oak



Oak Concrete Grey





Black | 4-6 kW

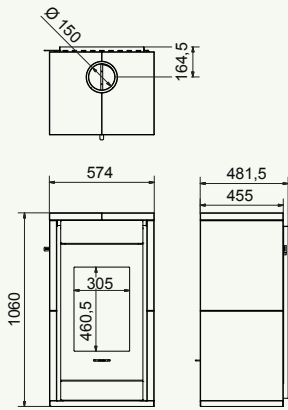
Ø 150 % 81,0 → [] B²

A vertical energy efficiency scale with nine horizontal bars of varying colors, ranging from green at the top to red at the bottom. The bars are labeled A++, A+, A, B, C, D, E, F, and G from top to bottom. A white arrow points to the A++ bar.

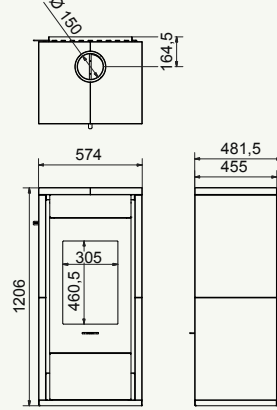
W wanders
fires & stoves

Pecan eco

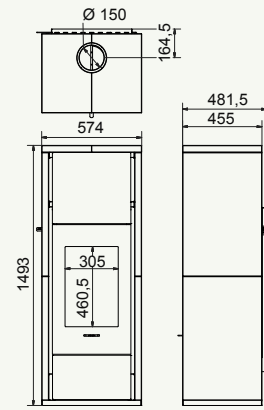
Pecan eco S



Pecan eco M



Pecan eco L



Pecan eco M



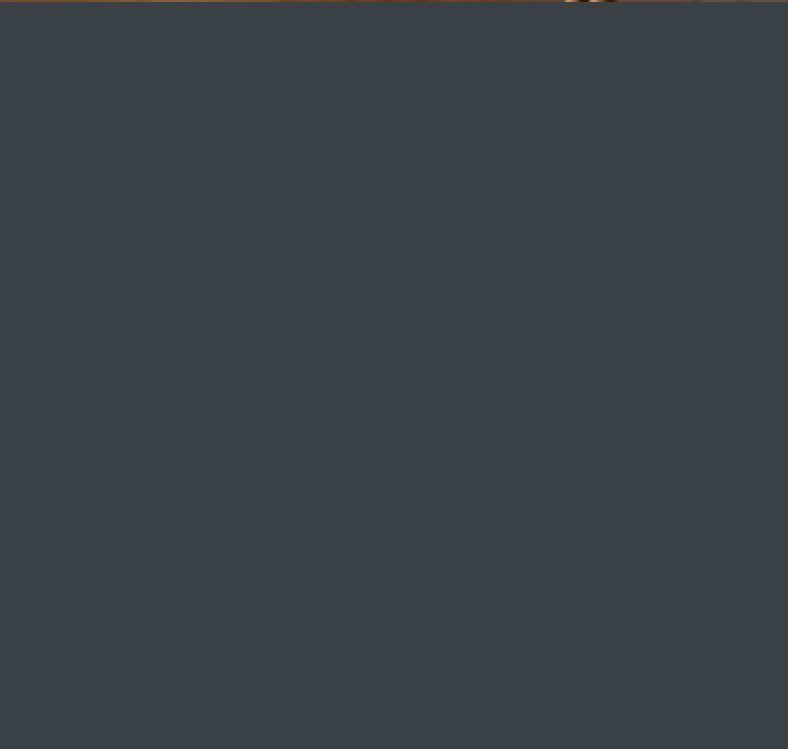


Black | 5-8 kW

Ø 150 % 82,0 → 🔌 B²

A vertical scale of energy efficiency classes from A++ (top, green) to G (bottom, red). An arrow points to the A++ class.

wanders
fires & stoves





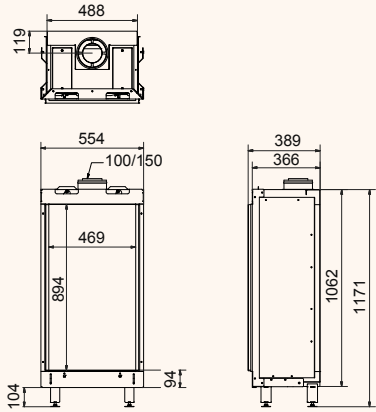
GAS



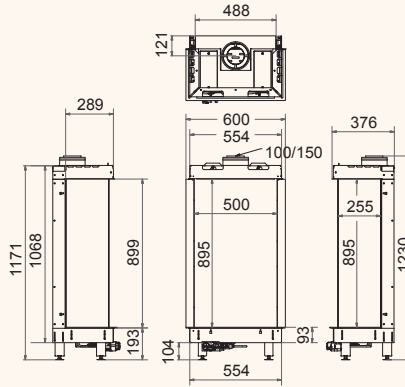
wanders
fires & stoves

Lenga 500

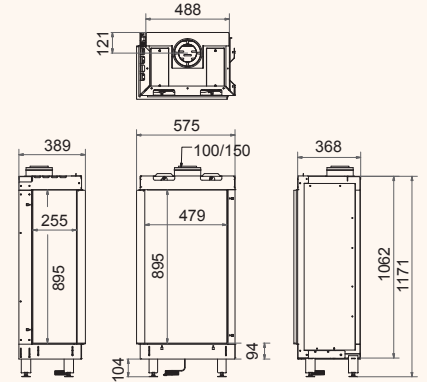
Lenga 500 A



Lenga 500 ABE



Lenga 500 AB/AE



Lenga 500 A



Lenga 500 AB



Lenga 500 ABE



Lenga 500 ABE



Black | In: 9,3 kW

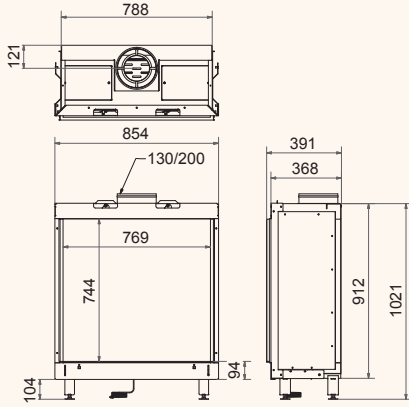
| | | | | |
|--|--|--|--|--|
| | | | | |
| | | | | |

ECO

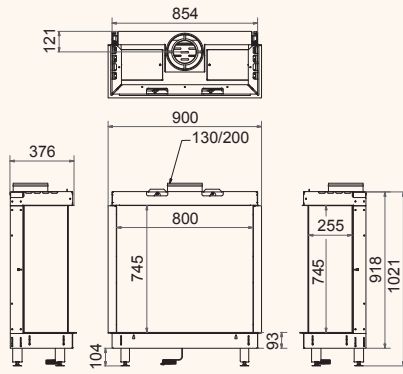
wanders
fires & stoves

Lenga 800

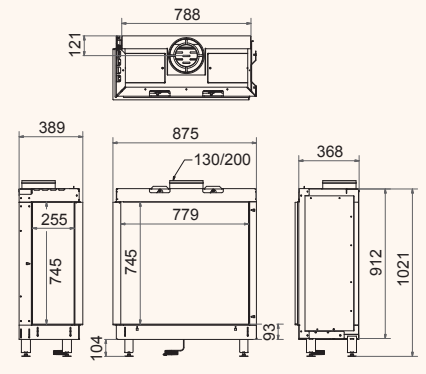
Lenga 800 A



Lenga 800 ABE

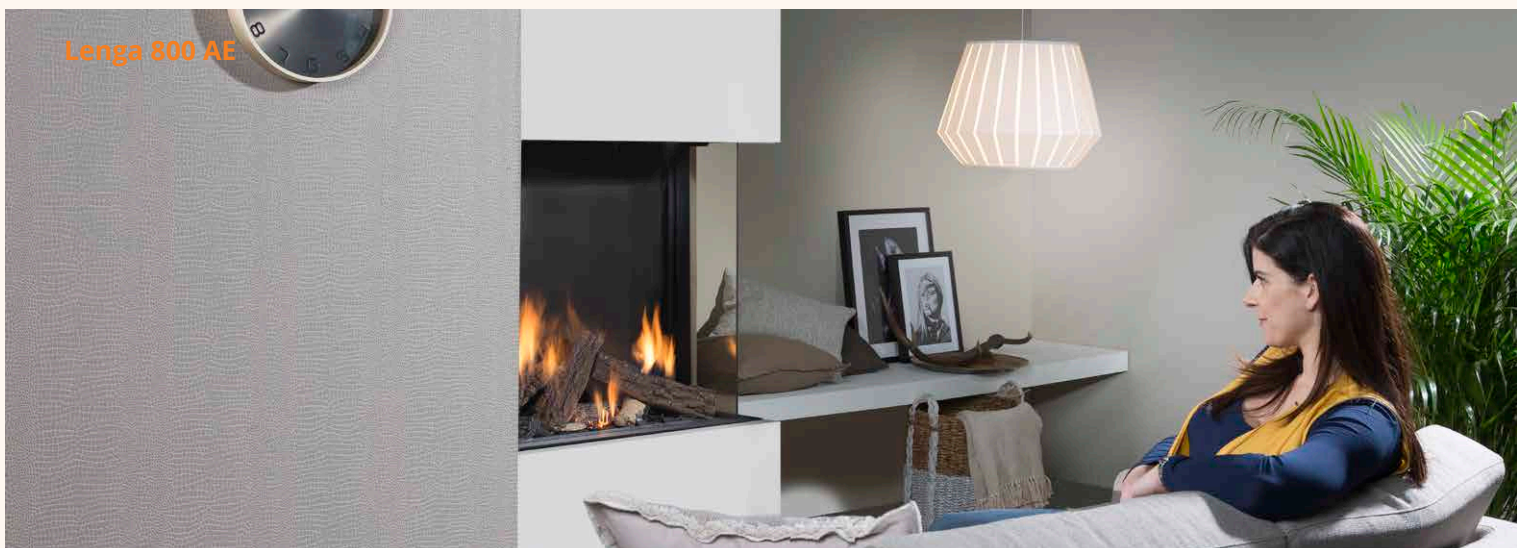


Lenga 800 AB/AE



Lenga 800 A





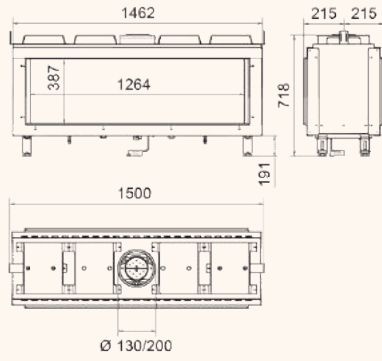
Black | In: 12,3 kW

| | | | | |
|--|--|--|--|--|
| | | | | |
| | | | | |

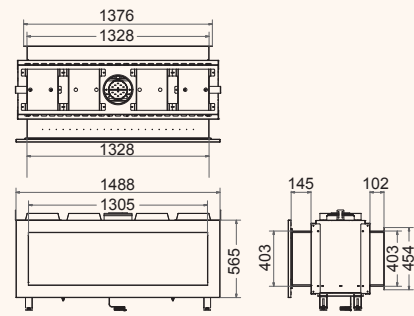
wanders
fires & stoves

Koto

Koto

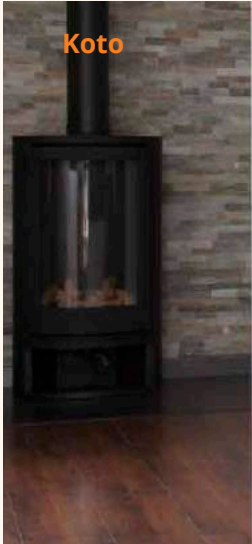


Koto inside/outside



Koto





Black | In: 11,7 kW

P 130/200 % 87,5

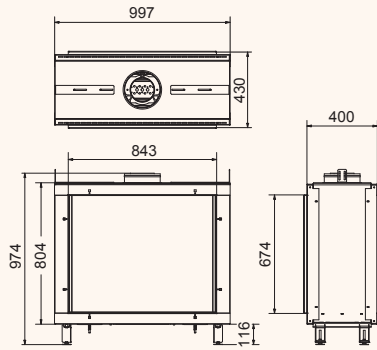
ECO

A++
A+
A
B
C
D
E
F
G

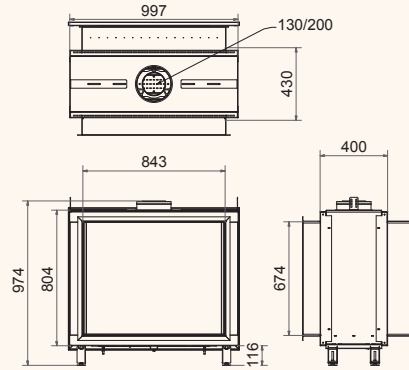
wanders
fires & stoves

Douglas

Douglas



Douglas inside/outside



Douglas



Douglas



Douglas



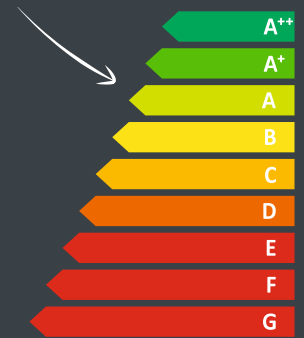
Douglas



Black | In: 10,0 kW



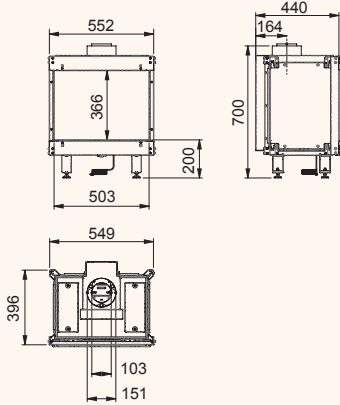
ECO



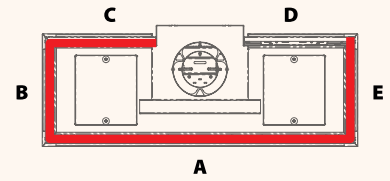
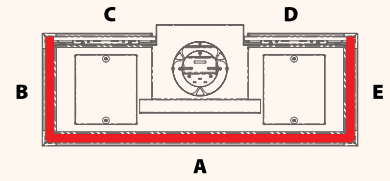
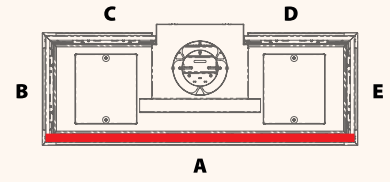
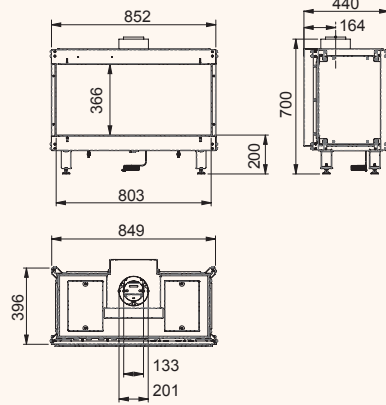
wanders
fires & stoves

Danta 500 / 800

Danta 500



Danta 800



Danta 500 ABCDE



Danta 800 AE



Danta 800 ABCDE



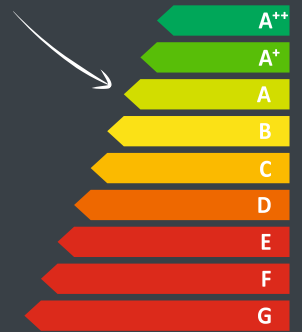
Danta 500 AB



Danta 500: Black | In: 6,8 kW



Danta 800: Black | In: 9,0 kW

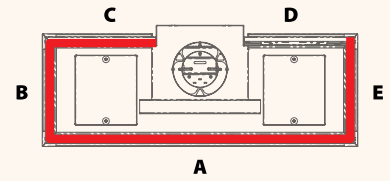
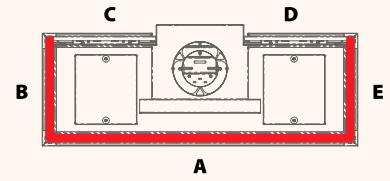
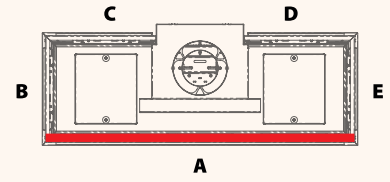
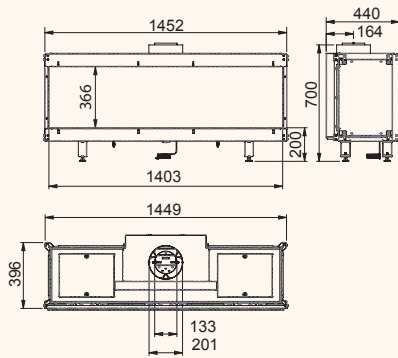
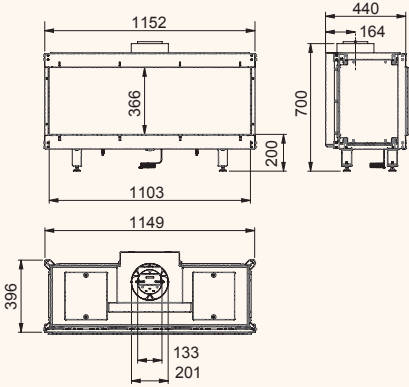


wanders
fires & stoves

Danta 1100 / 1400

Danta 1100

Danta 1400



Danta 1100 ABE





Danta 1100 ABDE



Danta 1400 ABCDE



Danta 1400 ABCDE

Danta 1100: Black | In: 11,7 kW

ECO

Danta 1400: Black | In: 14,0 kW

ECO

Danta 1100 → A++

Danta 1100 → A+

Danta 1400 → A

Danta 1400 → B

C

D

E

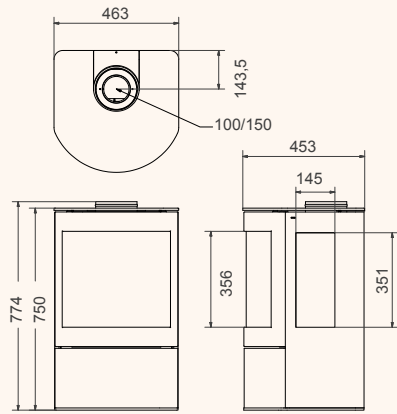
F

G

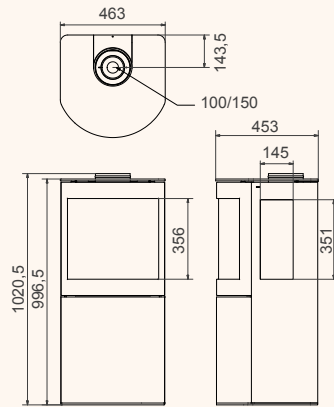
wanders
fires & stoves

Balsa

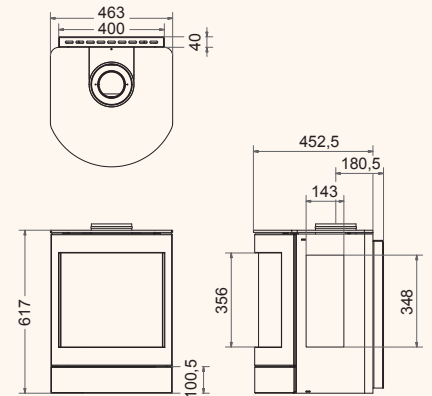
Balsa 75



Balsa 100



Balsa Wall



Balsa Wall



Black | In: 6,2 kW

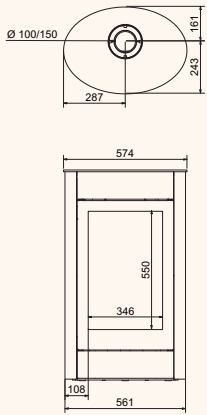
| | | | | |
|--|--|--|--|--|
| | | | | |
| | | | | |

Energy efficiency scale:

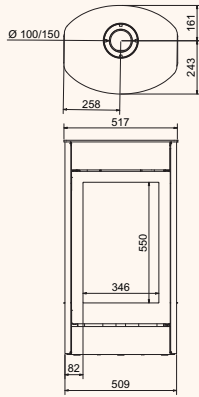
- A++
- A+ (indicated by an arrow)
- A
- B
- C
- D
- E
- F
- G

wanders
fires & stoves

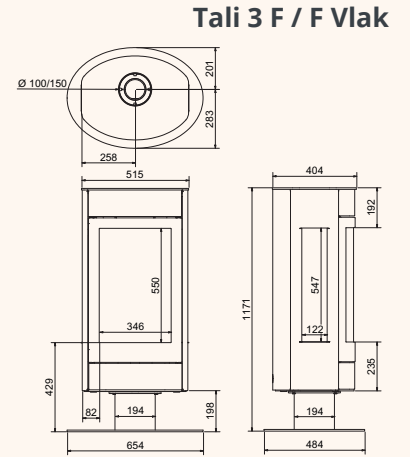
Tali



Tali



Tali 3 / Vlak



Tali 3 F / F Vlak

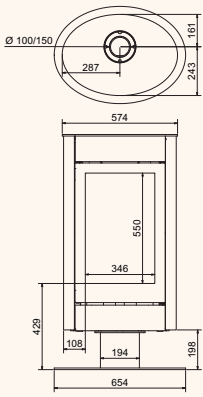


Tali

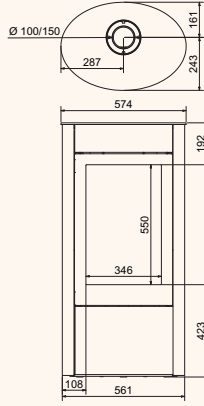
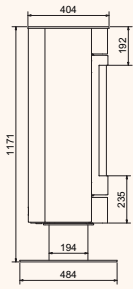


Tali 3

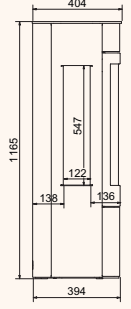
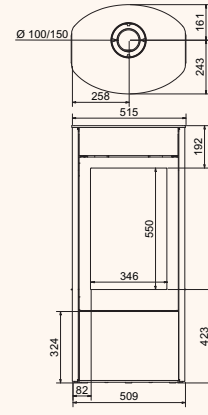
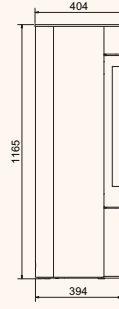
Tali 3XL / XL Vlak



Tali F



Tali XL



Tali 3 XL



Tali Vlak



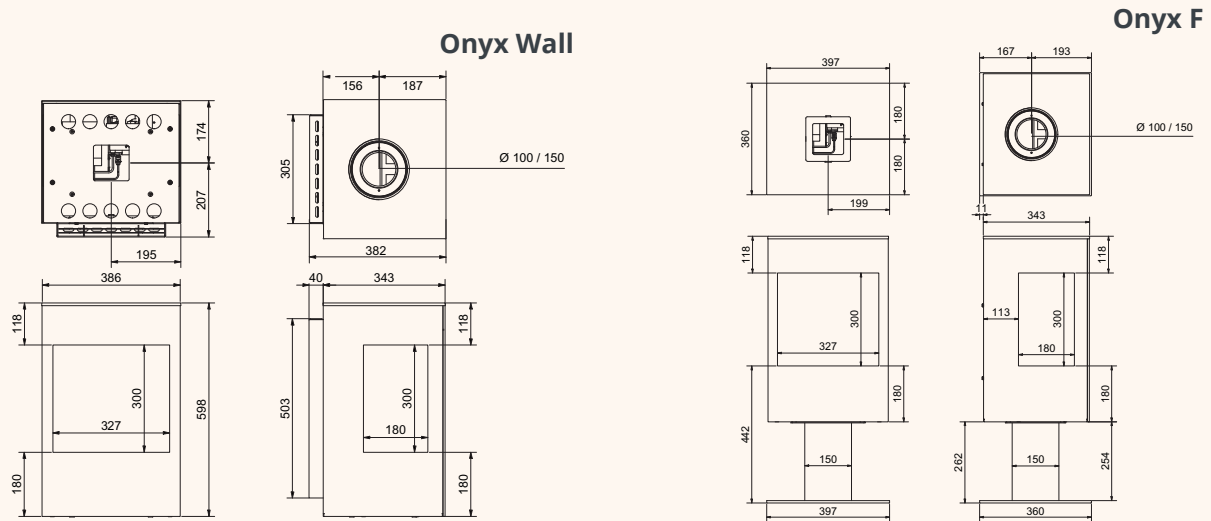
Tali F White

Tali | In: 6,2 kW

- Ø 100/150
- % 91,7
- Smart Home
- WiFi
- Thermostat
- Lock
- Remote Control
- Flameless

wanders
fires & stoves

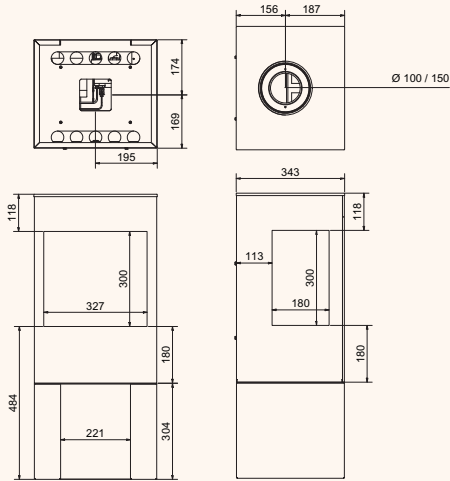
ONYX Wall / F / Base / Original



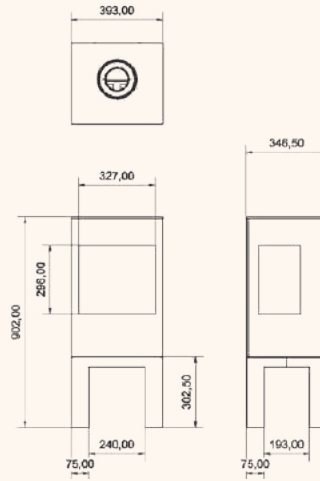
Onyx Wall



Onyx Base



Onyx Original



Onyx | In: 5,3 kW

- Ø 100/150
- % 91,2
- Smartphone icon
- Flame icon
- Flame icon
- Flame icon
- Lock icon
- Wi-Fi icon
- Thermometer icon
- Flame icon

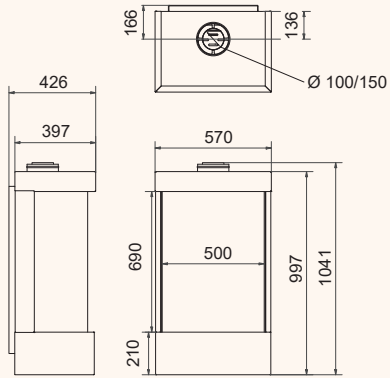
Energy efficiency scale:

- A++
- A+
- A
- B
- C
- D
- E
- F
- G

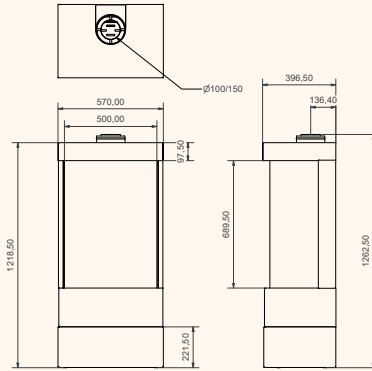
wanders
fires & stoves

Larix

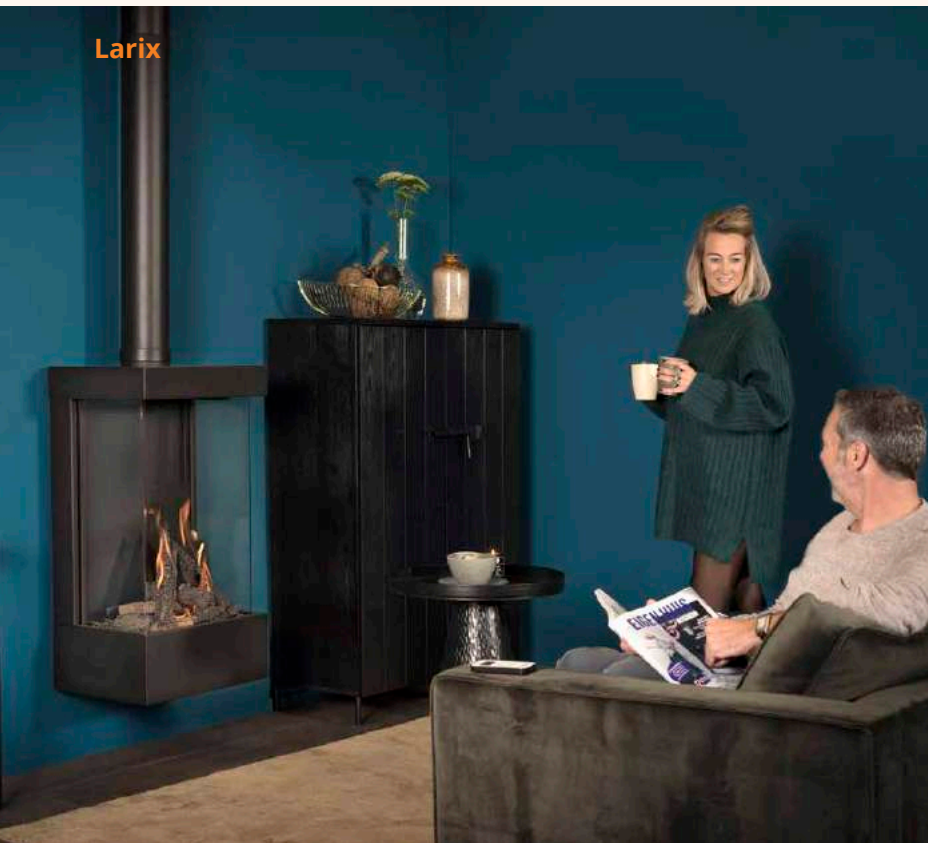
Larix



Larix base



Lenga 500 ABE



Larix

Black | 6,0 kW

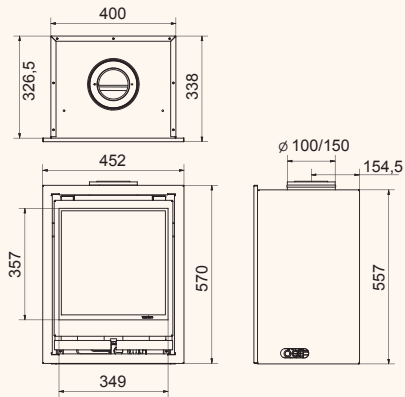
- 100/150
- 91,8%
- ECO

Energy efficiency scale from A++ to G. An arrow points to the A+ level.

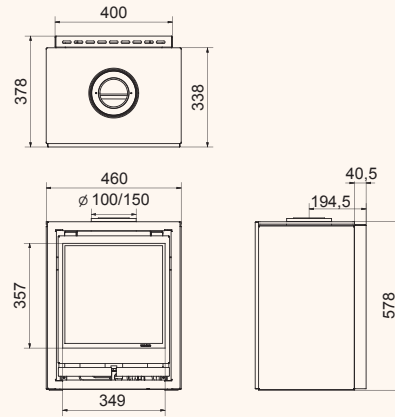
wanders
fires & stoves

Square 40G

Square 40G



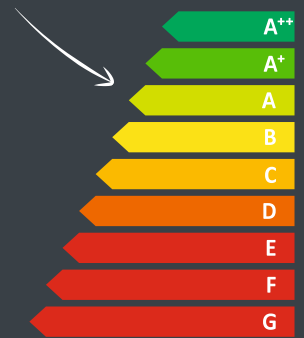
Square 40G Wall



Square 40G Wall



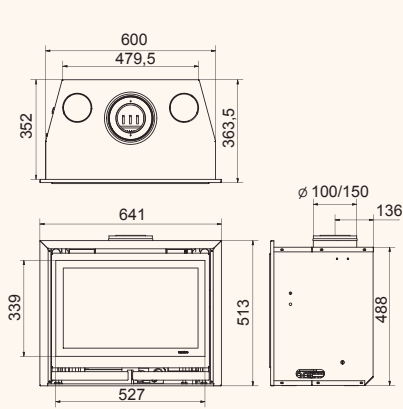
Black | In: 5,3 kW



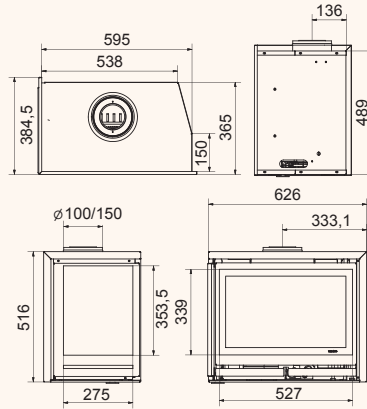
wanders
fires & stoves

Square 60G

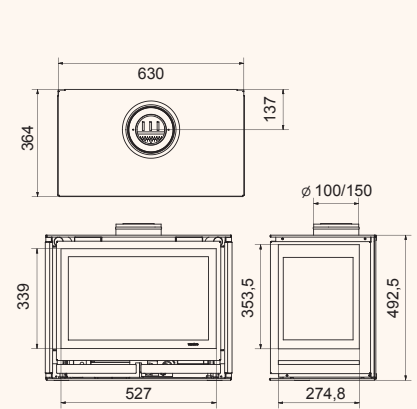
Square 60G front



Square 60G left/right



Square 60G trilateral



Square 60G right



Square 60G front



Square 60G trilateral



Black | In: 4,8 kW



wanders
fires & stoves



wanders
fires & stoves



Amtweg 4, NL-7077 AL Netterden
The Netherlands
T +31 (0)315 - 386 414
E info@wanders.com
I www.wanders.com